

ELBO

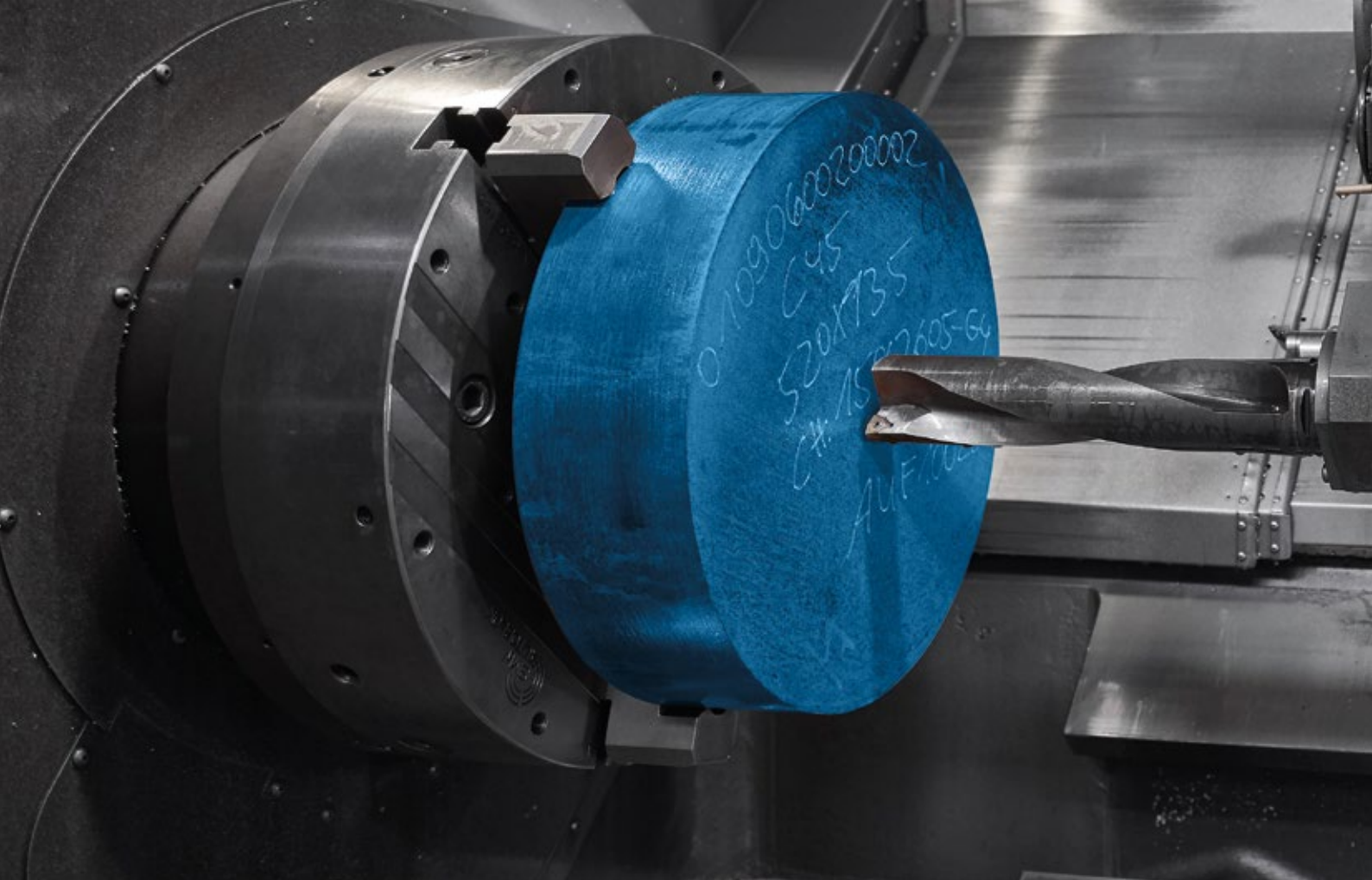
Flexible Pin-type Coupling

www.reich-kupplungen.com



SIMPLY **POWERFUL.**





D2C – Designed to Customer

The guiding principle of Designed to Customer is the recipe for success behind REICH. In addition to the catalogue products, we supply our customers with couplings developed to their specific requirements. The designs are mainly based on modular components to provide effective and efficient customer solutions. The special nature of our close cooperation with our partners ranges from; consulting, development, design, manufacture and integration to existing environments, to customer-specific production, logistics concepts and after-sales service - worldwide.

This customer-oriented concept applies to both standard products and production in small batch sizes.

The company policy at REICH embraces, first and foremost, principles such as customer satisfaction, flexibility, quality, prompt delivery and adaptability to the requirements of our customers.

REICH provides you with not only a coupling, but a solution:

Designed to Customer – SIMPLY **POWERFUL**.

D2C
Designed to Customer



ELBO

Contents

Coupling Information

04 General Technical Description

05 Advantages and uses

06 General Technical Data

ELBO

General Technical Description

ELBO

Flexible Pin-type Coupling

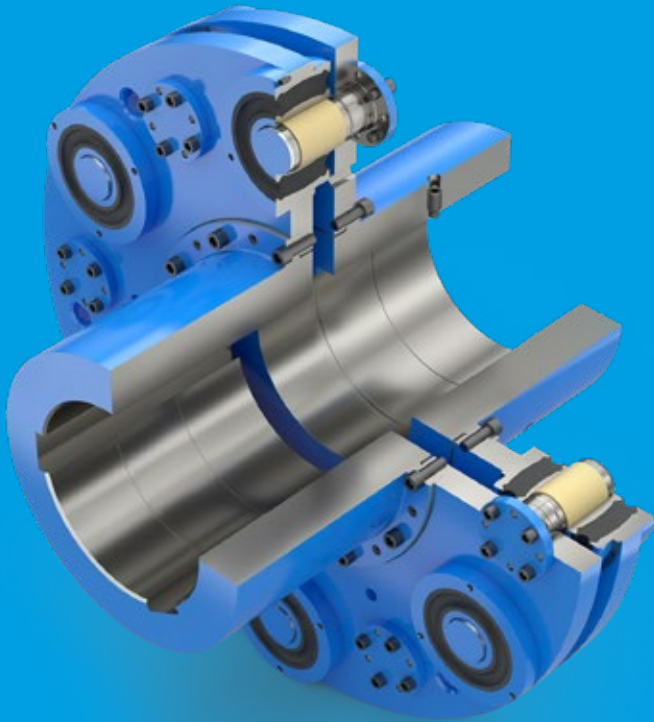
ELBO couplings are flexible pin-type couplings and designed to compensate for axial, radial and angular shaft displacements.

They provide for positive torque and speed transmission and dampen torque shocks and vibrations. The input and output sides of the coupling are of identical design.

Being mounted on either side, a maximum number of coupling elements can be accommodated on the flange on even the smallest of diameters. The specific design of the elastomer elements which are vulcanized onto the inner sleeve and the outer ring allows for axial length compensation with very low restorative forces. The maintenance-friendly coupling elements can be replaced without moving the coupled machine parts.

The ELBO series covers a torque range from 200 000 to 1 300 000 Nm.

REICH can also develop an optimised solution for non-standard designs following the principle "D2C - Designed to Customer".



ELBO

Nominal torques from 200 000 Nm to 1 300 000 Nm

ELBO Advantages

Key features and benefits of the ELBO coupling:

→ Modular type	→ Optimum cost-benefit ratio Favourable investment costs, high economic efficiency
→ Torque transmission up to 1300 kNm	→ Operational reliability with high torque transmission capacity Protection of connected components
→ Shaft-hub parallel key or tensioned shrink disk connections	→ Adaptable to diverse designs, (flexible and simple integration into the drive train) precision-fit and cost-effective solution
→ Compensation of axial, radial and angular displacements	→ Your system achieves a high level of operational stability with reduced loads, thereby increasing your productivity.
→ Backlash-free torque transmission	→ Long service life even with alternating loads with zero passage.
→ Coupling elements available in different stiffnesses. Optimum design of the coupling for the specific system.	→ Can be used for a wide variety of system configurations. System reliability and durability
→ Ease of assembly thanks to the plug-in axial design	→ Fast installation, short repair times resulting in high economic efficiency
→ Low axial restoring forces due to the slide bearing	→ Long service life, lower life cycle costs (LCC)
→ Fail-safe	→ Emergency operation can be provided for your machine or system. This prevents sudden shutdowns.
→ Maintenance-free	→ Little effort during the period of use You reduce downtimes. Less maintenance means optimised operating costs
→ Suited for ambient temperatures from -40 °C to +80 °C	→ Global use possible under the toughest conditions
→ Damping of impacts and vibrations Quiet operation	→ Increased productivity of your system through extended maintenance intervals.

ELBO

General Technical Data



Standard Types

Coupling size	Element version	Nominal torque T_{KN} [kNm]	Maximum torque $T_{K max}$ [kNm]	Fatigue torque T_{KW} [kNm]	Dynamic torsional stiffness $C_{T dyn}^{1)}$ [Nm/rad]	Relative damping ψ [-]	Maximum speed n_{max} [min ⁻¹]	Maximum shaft displacement		
								Axial ΔK_a [mm]	Radial ΔK_r [mm]	Angular ΔK_w [°]
ELBO 200	NN	140	280	42	30 000	0.8	1100	± 10	1.5	0.09
	SN	200	400	60	42 000	0.9	1100	± 10	1.5	0.09
ELBO 250	NN	175	350	53	37 000	0.8	1000	± 10	1.5	0.08
	SN	250	500	75	52 000	0.9	1000	± 10	1.5	0.08
ELBO 350	NN	245	490	74	61 200	0.8	850	± 10	1.5	0.07
	SN	350	700	105	86 400	0.9	850	± 10	1.5	0.07
ELBO 500	NN	350	700	105	91 200	0.8	800	± 10	1.5	0.07
	SN	500	1000	150	126 400	0.9	800	± 10	1.5	0.07
ELBO 750	NN	525	1050	158	160 000	0.8	700	± 10	1.5	0.06
	SN	750	1500	225	224 000	0.9	700	± 10	1.5	0.06
ELBO 1000	NN	700	1400	210	124 000	0.8	650	± 10	1.5	0.06
	SN	1000	2000	300	173 000	0.9	650	± 10	1.5	0.06
ELBO 1300	NN	910	1820	273	178 800	0.8	600	± 10	1.5	0.05
	SN	1300	2600	390	248 400	0.9	600	± 10	1.5	0.05

i 1) Other sizes available on request

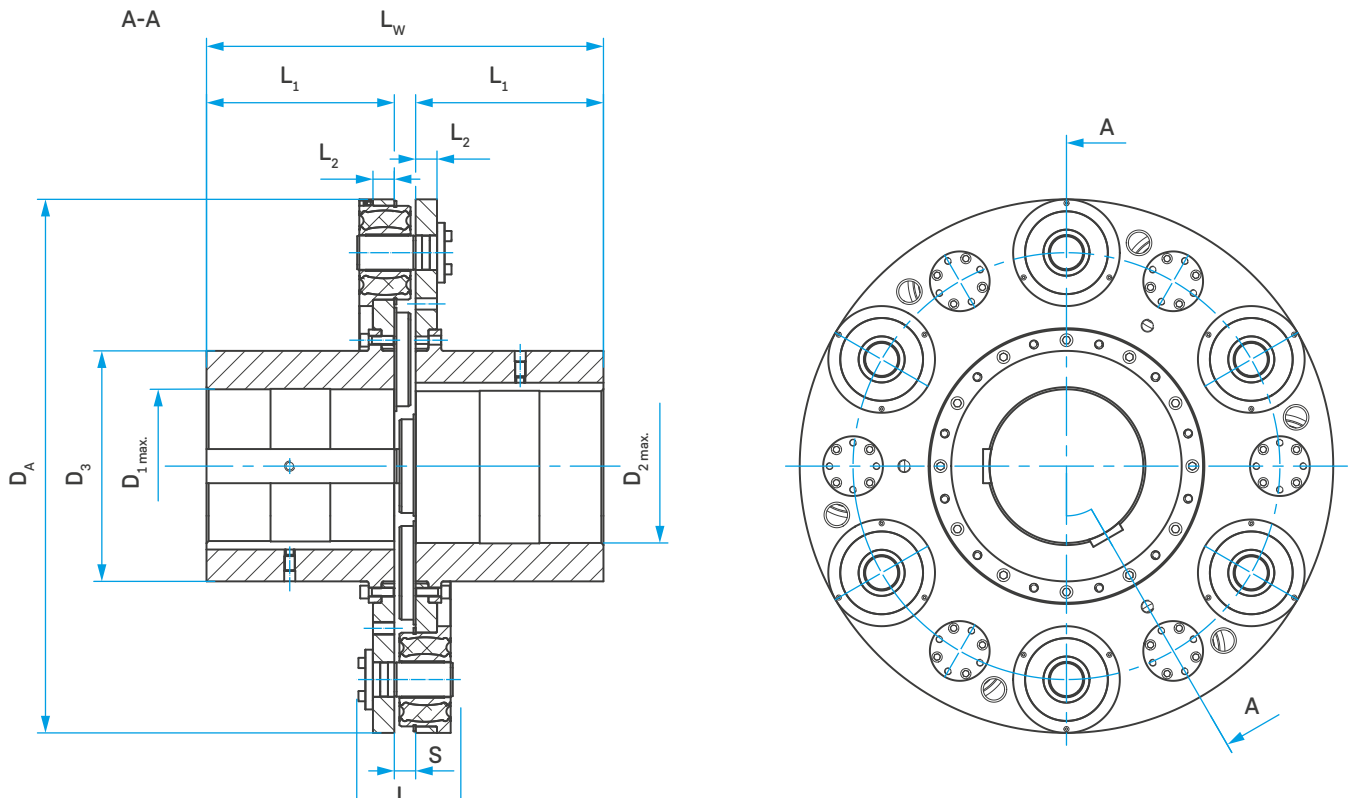
2) The values stated in the table for the dynamic torsional stiffness apply to a capacity utilization of 50% T_{KN} , an amplitude of 50% T_{KW} at a frequency of 10 Hz at an ambient temperature of 20 °C

Technical Note

The technical data applies only to the complete coupling or the corresponding coupling elements. It is the customer's/user's responsibility to ensure there are no inadmissible loads acting on any of the components. In particular, existing connections, e.g. bolted connections, must be checked with regard to the torques to be transmitted. If necessary, further measures, such as additional reinforcement with pins, may be necessary. It is the customer's/user's responsibility to make sure the dimensioning of the shaft and keyed or other connection, e.g. shrinking or clamping connection,

is correct. All components that can rust are protected against corrosion as standard.

REICH have an extensive range of couplings and coupling systems to cover nearly every drive configuration. Customized solutions can be developed and manufactured even in small batches or as prototypes. In addition calculation programs are available for all necessary dimensioning.



Coupling details

Coupling size	L_w	L_1	L_2	D_A	D_3	$D_{1 \text{ max.}}$ or $D_{2 \text{ max.}}$	S	Number of elements	Mass moment of inertia	Total mass
	[mm]	[mm]	[mm]	[mm]	[mm]	[mm]	[mm]	[-]	[kgm ²]	[kg]
ELBO 200	730	340	50	1025	420	280	50	10	110.04	1030
ELBO 250	770	360	50	1100	450	300	50	10	145.01	1200
ELBO 350	930	440	50	1250	540	360	50	12	255.81	1750
ELBO 500	1010	480	50	1300	600	400	50	16	330.03	2130
ELBO 750	1210	580	50	1500	720	480	50	20	637.10	3280
ELBO 1000	1342	630	100	1635	780	520	82	10	1292.21	5040
ELBO 1300	1522	720	100	1760	900	600	82	12	1941.30	6730

Balancing

All ELBO couplings are balanced as standard to a balancing grade G 40 for $n = 600 \text{ min}^{-1}$ according to DIN ISO 21940, which is sufficient for typical industrial speed ranges. Should a higher balancing grade be required, please specify the speed and the desired balancing grade when enquiring.



ELBO

SIMPLY **POWERFUL.** ————— □



Industrial solutions:

- ⚡ Power generation
- 🚛 Mobile applications
- 🧠 Test benches
- ⚙️ Pumps & compressors
- ⚙️ Industry
- ⚓ Ship & port engineering

Headquarter:

Dipl.-Ing. Herwarth Reich GmbH
Vierhausstrasse 53 · 44807 Bochum
☎ +49 234 95916-0
✉ mail@reich-kupplungen.com
🌐 www.reich-kupplungen.com

Copyright ISO 16016 to be observed:

The reproduction, distribution and utilisation of this document as well as the communication of its contents to others without explicit authorisation is prohibited. Offenders will be held liable for the payment of damages. All rights reserved in the event of the grant of a patent, utility model or design. © REICH - Dipl.- Ing. Herwarth Reich GmbH

March 2022 edition

The present ELBO catalogue edition renders parts of the previous ELBO catalogues obsolete. All dimensions in millimetres. We reserve the right to change dimensions and/or design without prior notice. Texts and illustrations, dimensional and performance data have been compiled with the utmost care. There is no guarantee, however, that the information is accurate; in particular, there is no guarantee that products will match the illustrations in terms of technology, colour, shape and configuration or that the products will correspond to the proportions of the illustrations. We also reserve the right to make changes due to printing errors or mistakes.